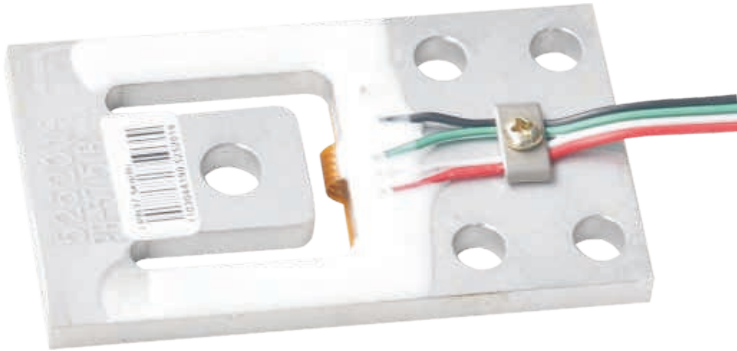


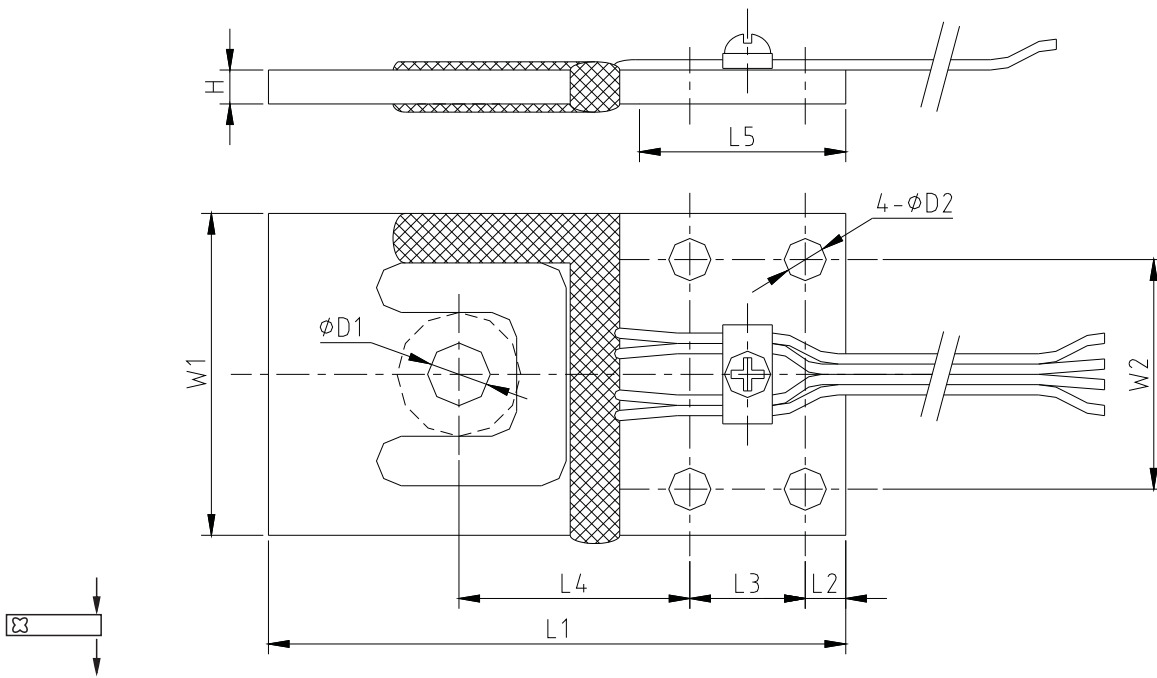


PB Load cell

PB



(kg)	L1	L2	L3	L4	L5	W1	W2	H	? D1	? D2
3.75								2		
7.5	70	4.9	14	28	23.7	39	27.8	2.5	5.1	5.1
15								4.1		
37.5	76.2	6	15	29.3	27	44.5	30	4.8	7.6	6.6
75	84.4	6.4		34	27.7	54.8		6.4		
150	107.3	7.8	22.9	45.9	38.4	69.9	44.5	7.9	9.1	8.1
375	119.4	9.1	25.4	52.6	43.7	76.1	50.8	12.7		9.8



Elevator small platform scales, healthy scales

TECHNICAL PARAMETER

OAP version 4Wires:Exc+(Blue);Exc-(Black);Sig+(White);Sig-(Red)

Rated capacities(Emax)	3.75,7.5,15,37.5,75,150,375kg	Temperature range, compensated	≥2000MΩ (50V DC)
Sensitivity	1.0± 0.2mV/V	Temperature range, operating	-20~+50℃
Accuracy class		Maximum safe overload	150%F.S
Creep error (30min)	± 166ppm	Ultimate overload	300%F.S
Zero balance	± 3%Emax	Excitation,recommended	10V DC
TC ZERO	± 17.5ppm/℃	Excitation,maximum	15V DC
TC SPAN	+20℃~+40℃, ± 17.5ppm/℃	Protection class	IP65
	-10℃~+20℃, ± 11.67ppm/℃	Construction	Aluminium
Input resistance	1220 ± 15Ω	Cable	Length:0.5m
Output resistance	1000 ± 5Ω		Diameter:(flat cable)
Max platform size		Installation torque,recommended	10N · m