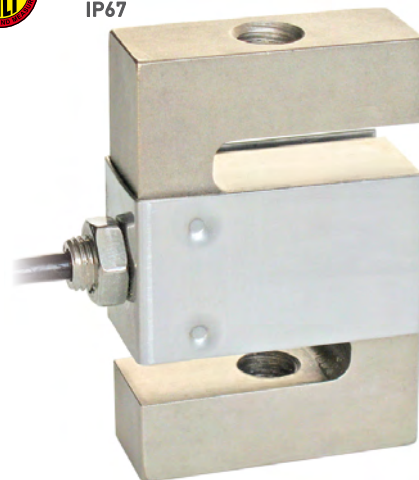




Capacity from 25 kg to 2500 kg

- SPECIAL STEEL
- COMBINED ERROR $\leq \pm 0.02\%$ (0.017% C4)
- PROTECTION CLASS IP67



CAPACITY	kg	ACCURACY CLASS				EAC	EAC Ex		EAC		NET WEIGHT (kg)	CODE
		C3	C4									
25		–	–	•	•	–	•	–	•	–	0.4	SL25
100		•	•	•	•	•	•	•	•	•	0.6	SL100
200		•	•	•	•	–	•	•	•	•	0.6	SL200
300		•	•	•	•	–	•	•	•	•	0.6	SL300
500		•	•	•	•	•	•	•	•	•	0.7	SL500
1000		•	•	•	•	•	•	•	•	•	0.9	SL1000
2500		•	•	•	•	•	•	•	•	•	1.6	SL2500

ON REQUEST

CERTIFICATIONS



OIML R60 C3



Complies with the Eurasian Custom Union standards



Complies with the United Kingdom regulations for legal for trade use

CERTIFICATIONS ON REQUEST



ATEX II 1GD (zone 0-1-2-20-21-22)



IECEx (zone 0-1-2-20-21-22)



OIML R60 C4



Complies with the Eurasian Custom Union standards for use in potentially explosive atmospheres



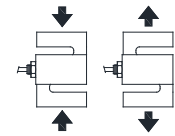
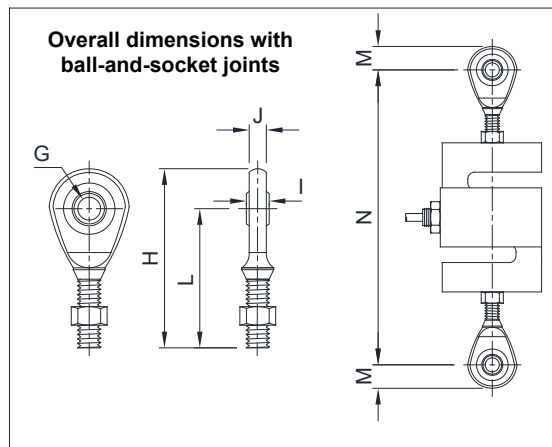
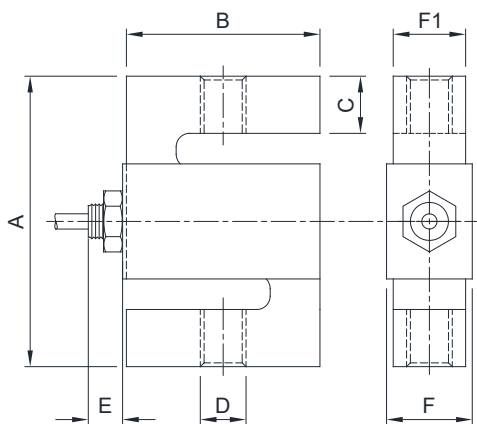
NTEP - Complies with the United States regulations for legal for trade use

COMPLEMENTARY ACCESSORIES

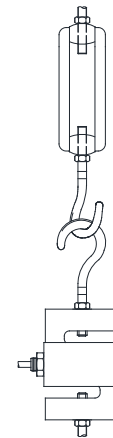


DESCRIPTION	DIMENSIONS	LOAD CELL CAPACITY	CODE
Ball-and-socket joint with nut:			
stainless steel	M12x1.75	200-1000 kg	EM12DADOINOX
	M20x1.5	2500 kg	EM20DADOINOX
C45 special steel	M8x1.25	25 kg	EM8DADO
	M10x1.5	100 kg	EM10DADO
	M12x1.75	200-1000 kg	EM12DADO
	M20x1.5	2500 kg	EM20DADO

DIMENSIONS (mm)



Example of application on the tension bar mechanical scale



	A	B	C	D	E	F	F1	G	H	I	J	L	M	N (≈)
25 kg	76.2	50.8	15.7	M8x1.25	10	14.5	12.7	Ø8	54	8	6.5	42.5	11.5	129
100 kg	76.2	50.8	15.3	M10x1.5	9	22.4	19	Ø10	62.5	9	7.5	48.5	14	142
200 kg					8									
300 kg	76.2	50.8	14.4	M12x1.75	9	22.4	19	Ø12	71	10	8.5	54.5	16.5	154
500 kg					9									
1000 kg	76.2	50.8	12.5	M12x1.75	10	28.9	25.4	Ø12	71	10	8.5	54.5	16.5	159
2500 kg	101.6	76.2	20	M20x1.5	6	28.9	25.4	Ø20	104.5	16	13.5	77.5	27	217

TECHNICAL FEATURES

Material	Special steel		
OIML R60 Accuracy class • Verification intervals	-	C3 • 3000	C4 • 4000
Nominal load (E max)	25 kg	100 - 200 - 300 kg 500 - 1000 - 2500 kg	100 - 200 - 300 kg 500 - 1000 - 2500 kg
Minimum verification interval (V min)	-	E max / 10000 E max / 15000	E max / 20000
Combined error	≤ ±0.02%	≤ ±0.02%	≤ ±0.017%
Protection class	IP67		
Rated output	2 mV/V ±0.2%	Input resistance	350 Ω ±3.5
Temperature effect on zero	0.0015% °C	Output resistance	350 Ω ±3.5
Temperature effect on span	0.0017% °C	Zero balance	±1%
Compensated temperature range	-10 °C / +40 °C	Insulation resistance	>5000 MΩ
Operating temperature range	-35 °C / +65 °C	Safe overload (% of full scale)	150%
Creep at nominal load in 30 minutes	0.03%	Ultimate overload (% of full scale)	300%
Max supply voltage without damage	18 V	Deflection at nominal load	0.4 mm

ELECTRICAL CONNECTIONS

Cable length	5 m (25 - 300 kg); 10 m (500 - 2500 kg)
Cable diameter	5 mm
Cores	4 x 0.24 mm ²

