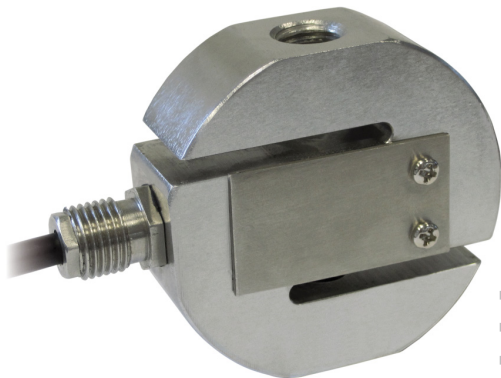




Manufactured according to OIML R60 standards

Capacity from 50 kg to 300 kg



Capacity from 500 kg to 5000 kg



- AISI 420 STAINLESS STEEL
- COMBINED ERROR $\leq \pm 0.03\%$
- PROTECTION CLASS IP67

CAPACITY	kg					NET WEIGHT (kg)	CODE
50		•	•	•	•	0.7	CTOL50
100		•	•	•	•	0.7	CTOL100
200		•	•	•	•	0.7	CTOL200
300		•	•	•	•	0.7	CTOL300
500		•	•	•	•	0.7	CTOL500
1000		•	•	•	•	1.4	CTOL1000
2500		•	•	•	•	1.4	CTOL2500
5000		•	•	•	•	2.7	CTOL5000

ON REQUEST

CERTIFICATIONS

Complies with the Eurasian Custom Union standards

CERTIFICATIONS ON REQUEST

ATEX II 1GD (zone 0-1-2-20-21-22)

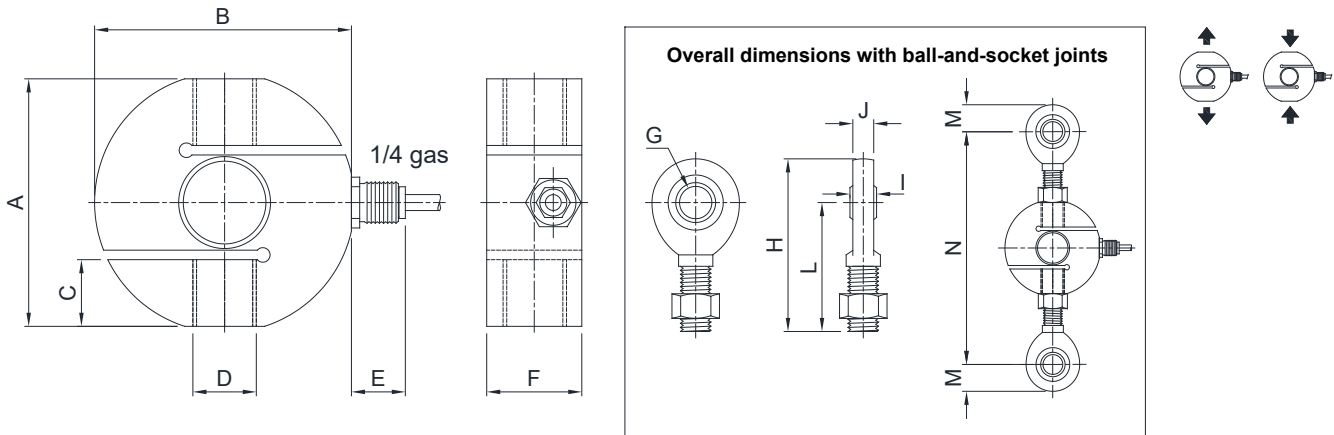
IECEx (zone 0-1-2-20-21-22)

Complies with the Eurasian Custom Union standards for use in potentially explosive atmospheres

COMPLEMENTARY ACCESSORIES

	DESCRIPTION	DIMENSIONS	LOAD CELL CAPACITY	CODE
	Ball-and-socket joint with nut:			
	stainless steel	M12x1.75	50-500 kg	EM12DADOINOX
		M16x2	1000 kg	EM16DADOINOX
		M20x1.5	2500 kg	EM20DADOINOX
		M24x2	5000 kg	EM24DADOINOX
	C45 special steel	M12x1.75	50-500 kg	EM12DADO
		M16x2	1000 kg	EM16DADO
		M20x1.5	2500 kg	EM20DADO
		M24x2	5000 kg	EM25DADO

DIMENSIONS (mm)



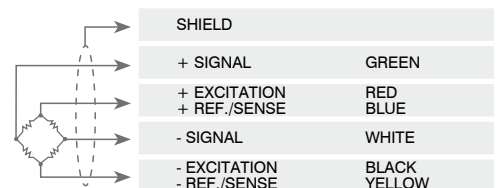
	A	B	C	D	E	F	G	H	I	J	L	M	N (≈)
50 kg 500 kg	59.5	63.5	14.5	M12x1.75	17	22	Ø12	71	10	8.5	54.5	16.5	140
1000 kg	78	82	21	M16x2	17	30	Ø17	92	14	11.5	69.5	22.5	176
2500 kg	78	82	21	M20x1.5	17	30	Ø20	104.5	16	13.5	77.5	27	191
5000 kg	90	102	24	M24x2	17	45	Ø25	126	20	17.5	94.5	31.5	230

TECHNICAL FEATURES

Material	AISI 420 stainless steel		
Nominal load (E max)	50 - 100 - 200 - 300 - 500 - 1000 - 2500 - 5000 kg		
Combined error	≤ ±0.03%		
Protection class	IP67		
Rated output	2 mV/V ±0.4%	Input resistance	385 Ω ±30
Temperature effect on zero	0.0025% °C	Output resistance	350 Ω ±10
Temperature effect on span	0.0025% °C	Zero balance	±2%
Compensated temperature range	-10 °C / +40 °C	Insulation resistance	>2000 MΩ
Operating temperature range	-20 °C / +60 °C	Safe overload (% of full scale)	150%
Creep at nominal load in 30 minutes	0.03%	Ultimate overload (% of full scale)	250%
Max supply voltage without damage	15 V	Deflection at nominal load	0.4 mm

ELECTRICAL CONNECTIONS

Cable length	10 m
Cable diameter	6 mm
Cores	6 x 0.20 mm ²



The Company reserves the right to make changes to the technical data, drawings and images without notice.