



Manufactured according to OIML R60 standards

Capacity from 200000 kg to 750000 kg



- 17-4 PH STAINLESS STEEL
- COMBINED ERROR $\leq \pm 0.10\%$
- PROTECTION CLASS IP68

CAPACITY	kg	IECEx	Ex	EAC	Ex	EAC	NET WEIGHT (kg)	CODE
200000		•	•	•	•	•	20	CBLS200000
300000		•	•	•	•	•	42	CBLS300000
500000		•	•	•	•	•	60	CBLS500000
750000		•	•	•	•	•	60	CBLS750000

ON REQUEST

CERTIFICATIONS

EAC Complies with the Eurasian Custom Union standards

CERTIFICATIONS ON REQUEST

✓ Accredia traceable calibration report

Ex ATEX II 1GD (zone 0-1-2-20-21-22)

IECEx (zone 0-1-2-20-21-22)

EAC Ex Complies with the Eurasian Custom Union standards for use in potentially explosive atmospheres

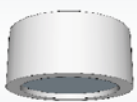
OPTIONS ON REQUEST

DESCRIPTION

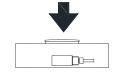
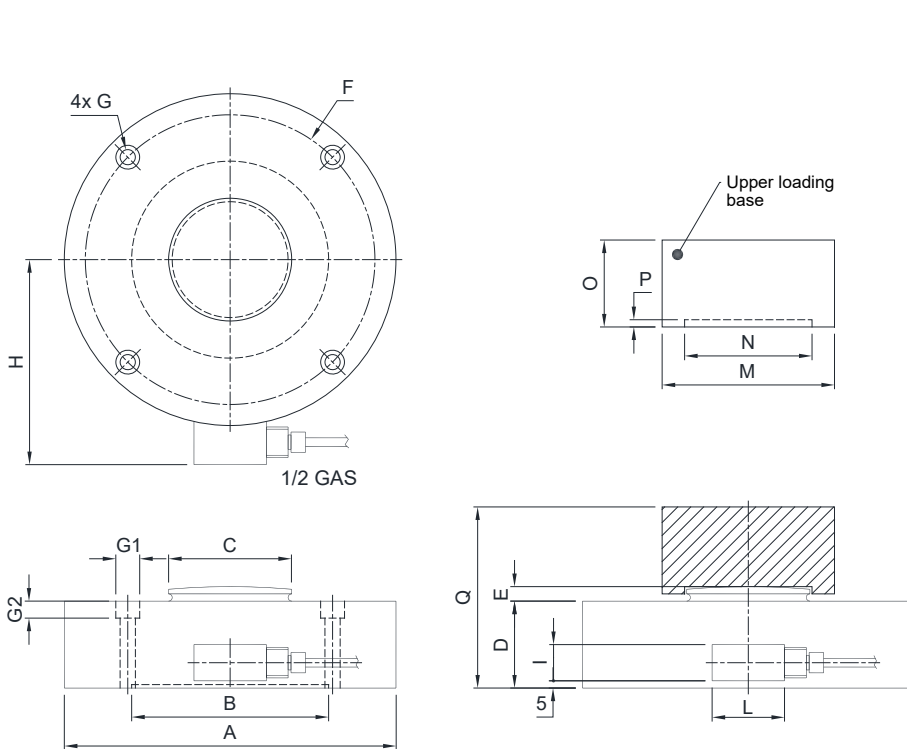


Two redundant strain gauges Wheatstone bridges (350 Ω) with two output cables; for dual safety systems

COMPLEMENTARY ACCESSORIES

DESCRIPTION	CODE
 <p>Upper loading base.</p>	<p>Dimensions:</p> <p>Maximum static load:</p>
	<p>200000 kg BOTTONE200</p> <p>300000 kg BOTTONE</p> <p>500000 - 750000 kg BOTTONE750</p>
	<p>Ø119 mm; h=60 mm</p> <p>Ø198 mm; h=60 mm</p> <p>Ø198 mm; h=89 mm</p>

DIMENSIONS (mm)



	200t	300t	500-750t
A	Ø229	Ø299	Ø299
B	Ø136.5	Ø228	Ø230
C	Ø87	Ø155	Ø155
D	60	73	106
E	10	12	14
F	Ø200	Ø260	Ø260
G	Ø10.5	Ø12.5	Ø12.5
G1	Ø16.5	Ø18.5	Ø18.5
G2	10.5	12.5	12.5
H	142±1	180±2	180±2
I	30	25	25
L	60	50	50
weight	20kg	42kg	60kg

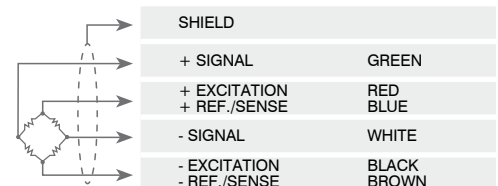
	200t	300t	500-750t
M	Ø119	Ø198	Ø198
N	Ø88	Ø156	Ø158
O	60	60	89
P	5	5	9
Q	125	140	200

TECHNICAL FEATURES

Material	17-4 PH stainless steel		
Nominal load (E max)	200000 - 300000 - 500000 - 750000 kg		
Combined error	≤ ±0.10%		
Protection class	IP68		
Rated output	2 mV/V ±0.1%	Input resistance	700 Ω ±20
Temperature effect on zero	0.005% °C	Output resistance	700 Ω ±5
Temperature effect on span	0.005% °C	Zero balance	±1%
Compensated temperature range	-10 °C / +50 °C	Insulation resistance	>5000 MΩ
Operating temperature range	-20 °C / +70 °C	Safe overload (% of full scale)	150%
Creep at nominal load in 30 minutes	0.03%	Ultimate overload (% of full scale)	300%
Max supply voltage without damage	15 V	Deflection at nominal load	0.4 mm

ELECTRICAL CONNECTIONS

Cable length	10 m
Cable diameter	5 mm
Cores	6 x 0.14 mm ²



The Company reserves the right to make changes to the technical data, drawings and images without notice.