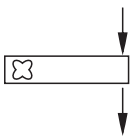
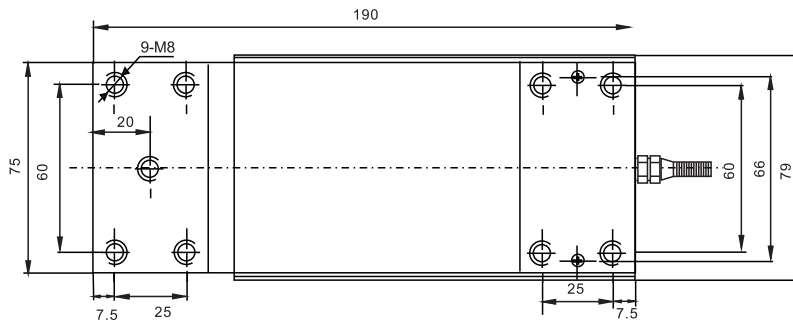
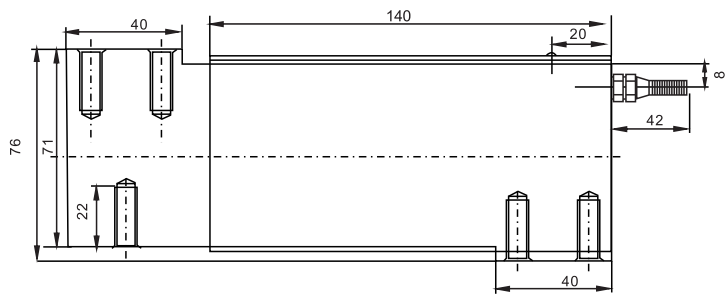
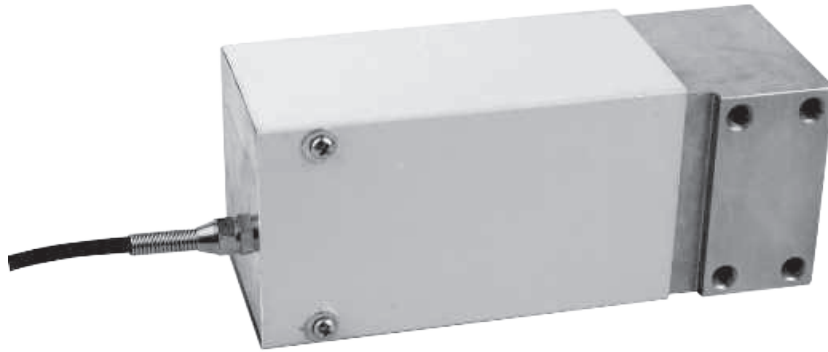




ILF Loadcell

ILF



Blending scale, packing scale, dynamic testing system, platform scale

TECHNICAL PARAMETER OAP version 4Wires:Exc+(Blue);Exc-(Black);Sig+(White);Sig-(Red)

Rated capacities(Emax)	50,75,100,120,200,250,300,500,1000kg	Temperature range, compensated	-10°C~+40°C
Sensitivity	2.0±0.2mV/V	Temperature range, operating	-30~+70°C
Total error	±0.03%F.S	Maximum safe overload	120%F.S
Creep error (30min)	±0.02%F.S, ±0.03%F.S	Ultimate overload	200%F.S
Zero balance	±1%F.S	Excitation, recommended	10~12V DC
TC ZERO	±0.02%F.S/10°C	Excitation, maximum	15V DC
TC SPAN	±0.02%F.S/10°C	Protection class	IP65
Input resistance	400±20Ω	Construction	Alloy Steel
Output resistance	352±3Ω	Cable	Length:3m
Insulation resistance	≥5000MΩ		Diameter: φ5mm